

4

3

2

1

D

D

C

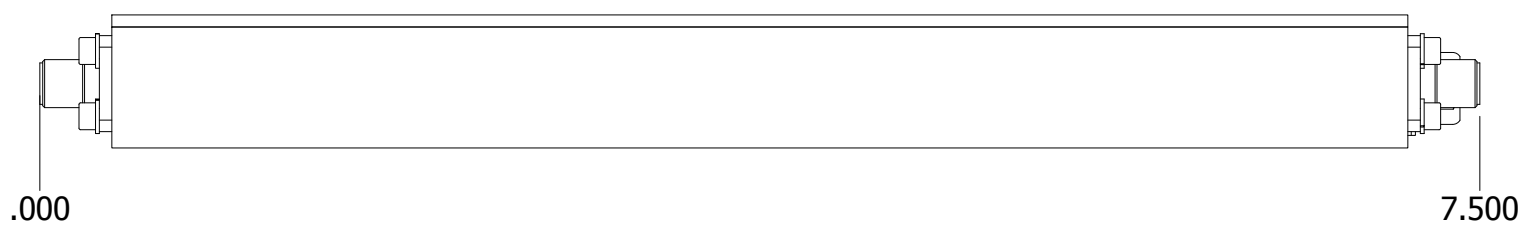
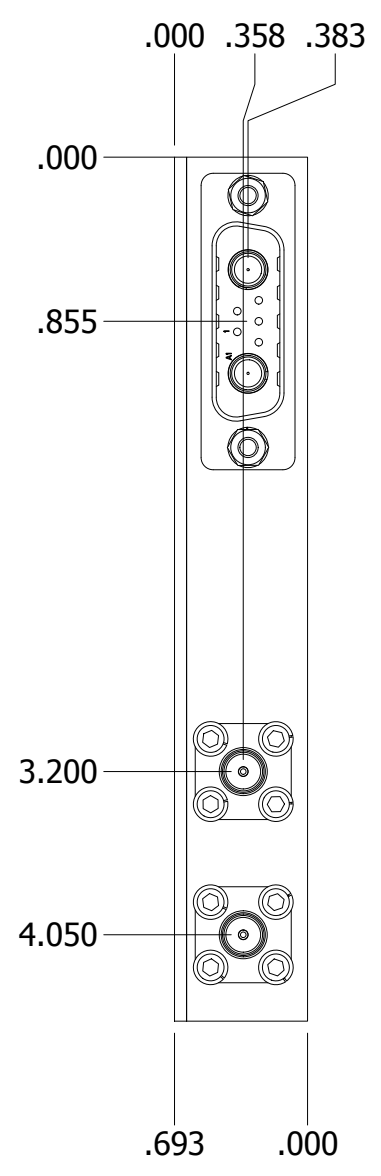
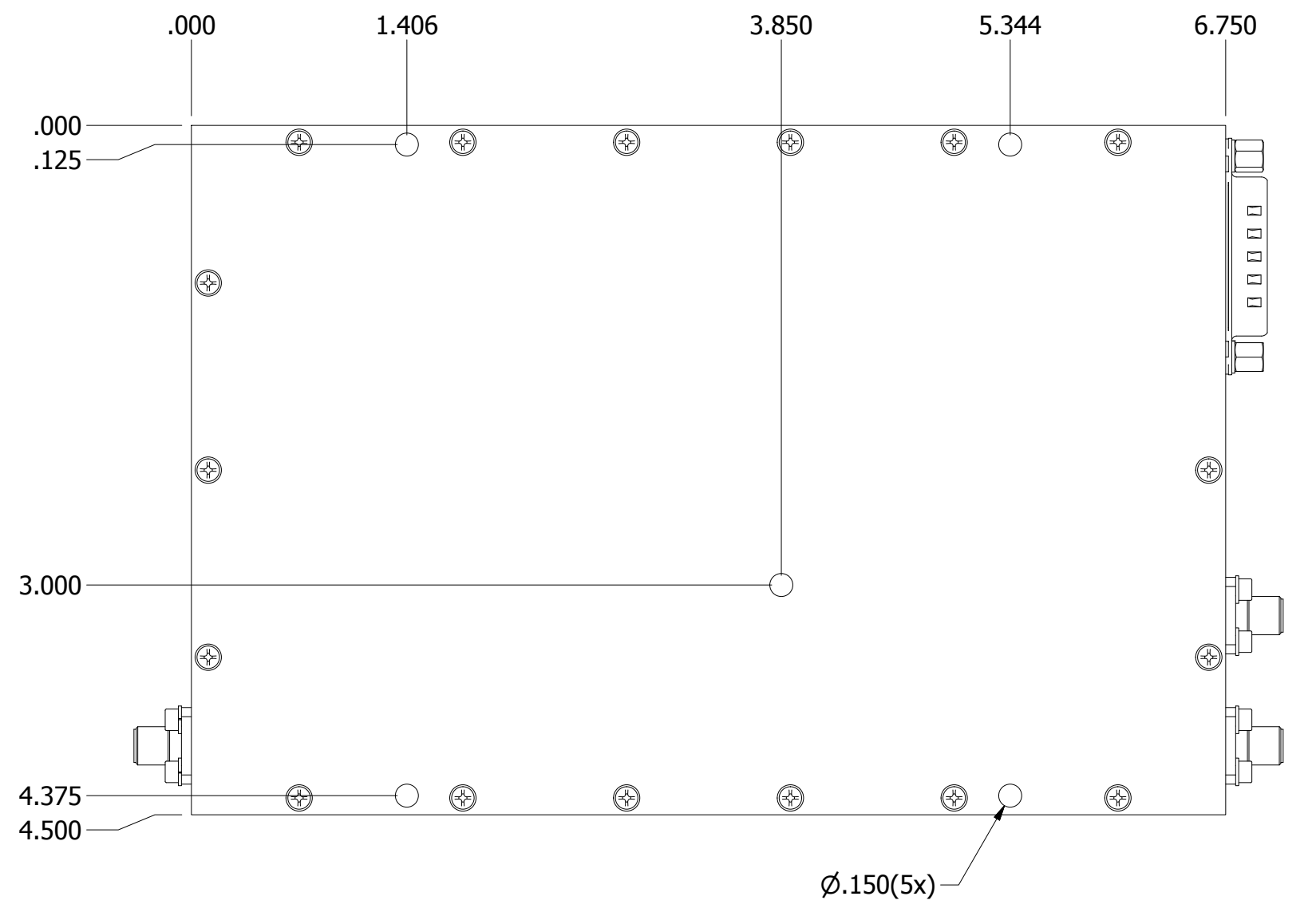
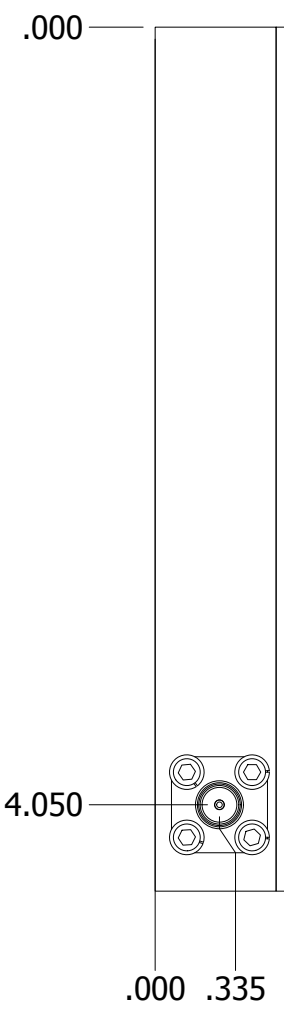
C

B

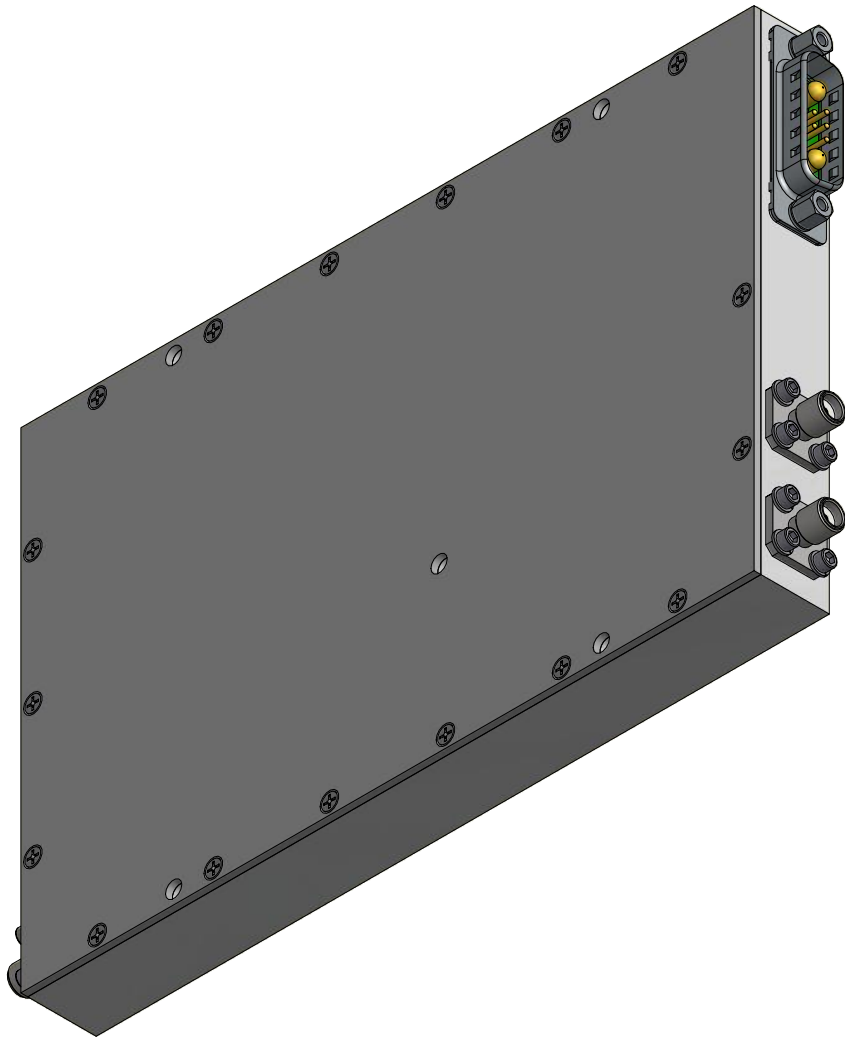
B

A

A



ISO VIEW  
SCALE 0.8 : 1



DRAWN	9/20/2012
DH	
CHECKED	9/20/2012
ENG	

**DCH SYSTEMS** DCH SYSTEMS INC.  
626 CENTRAL AVE STE 2  
EAST ORANGE NJ 07018

UNLESS OTHERWISE SPECIFIED  
DIMENSIONS ARE IN INCHES  
TOLERANCES:  
.XX : ±.02  
.XXX ±.005  
< ±1°

TITLE			
HOUSING OUTLINE K			
SIZE	CAGE CODE	DWG NO	REV
C	5ZDM4	HSG-K	
SHEET 1 OF 1			

4

3

2

1